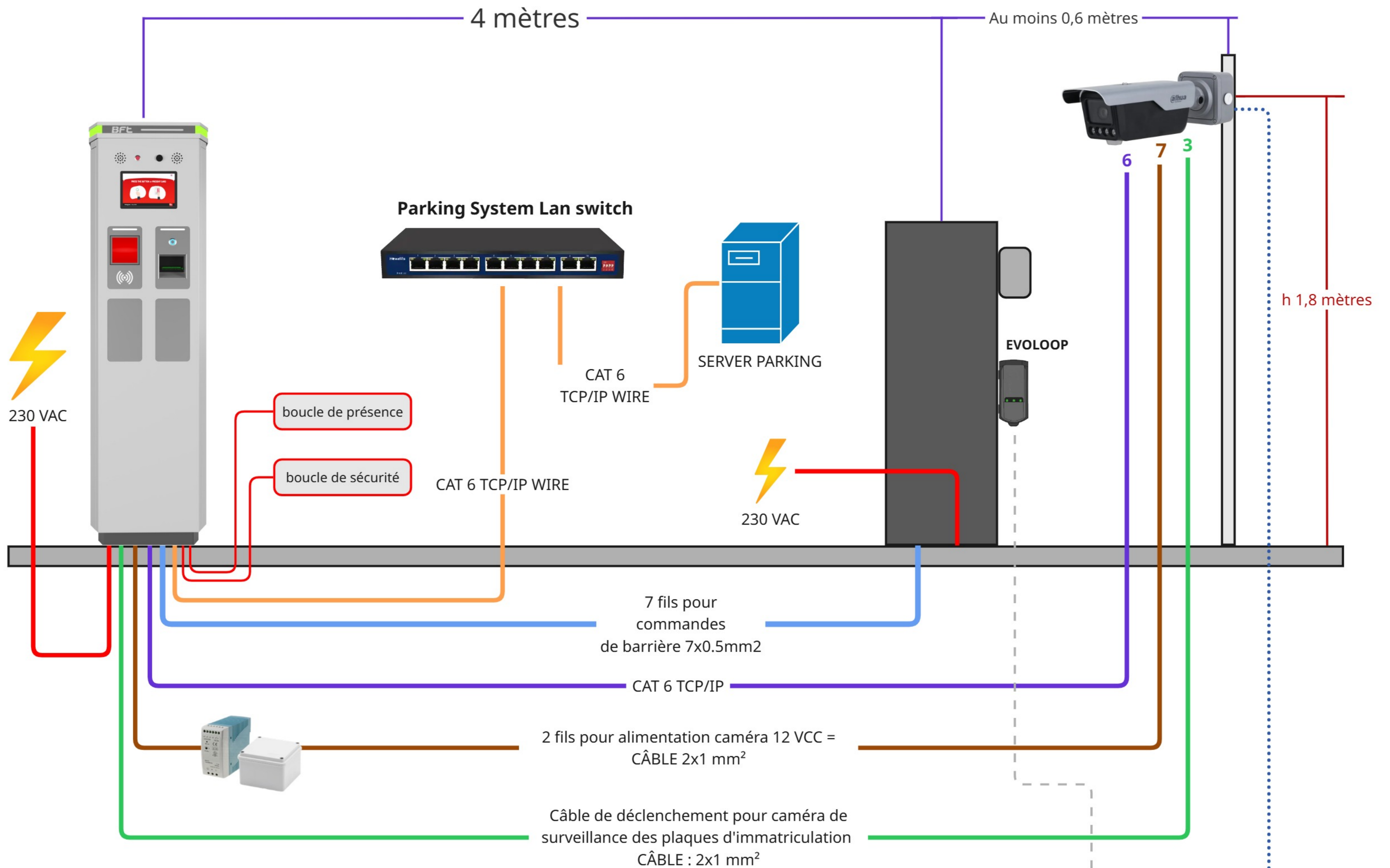
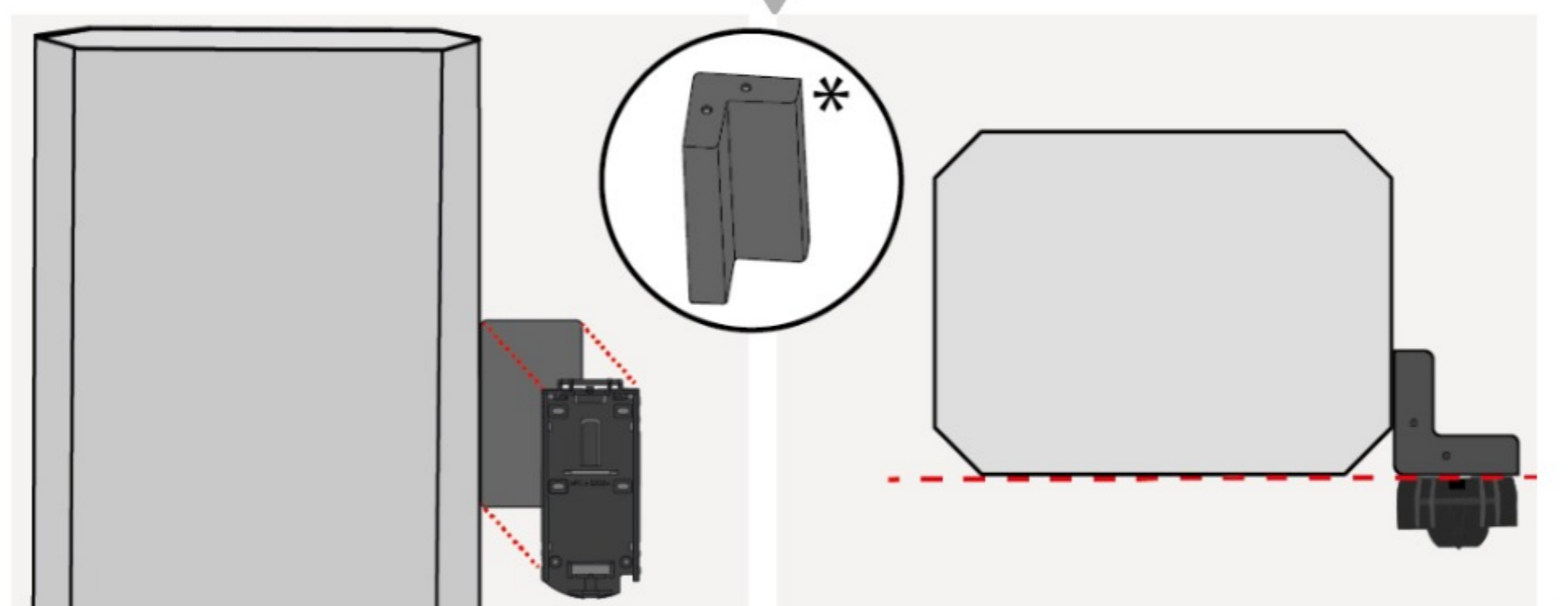
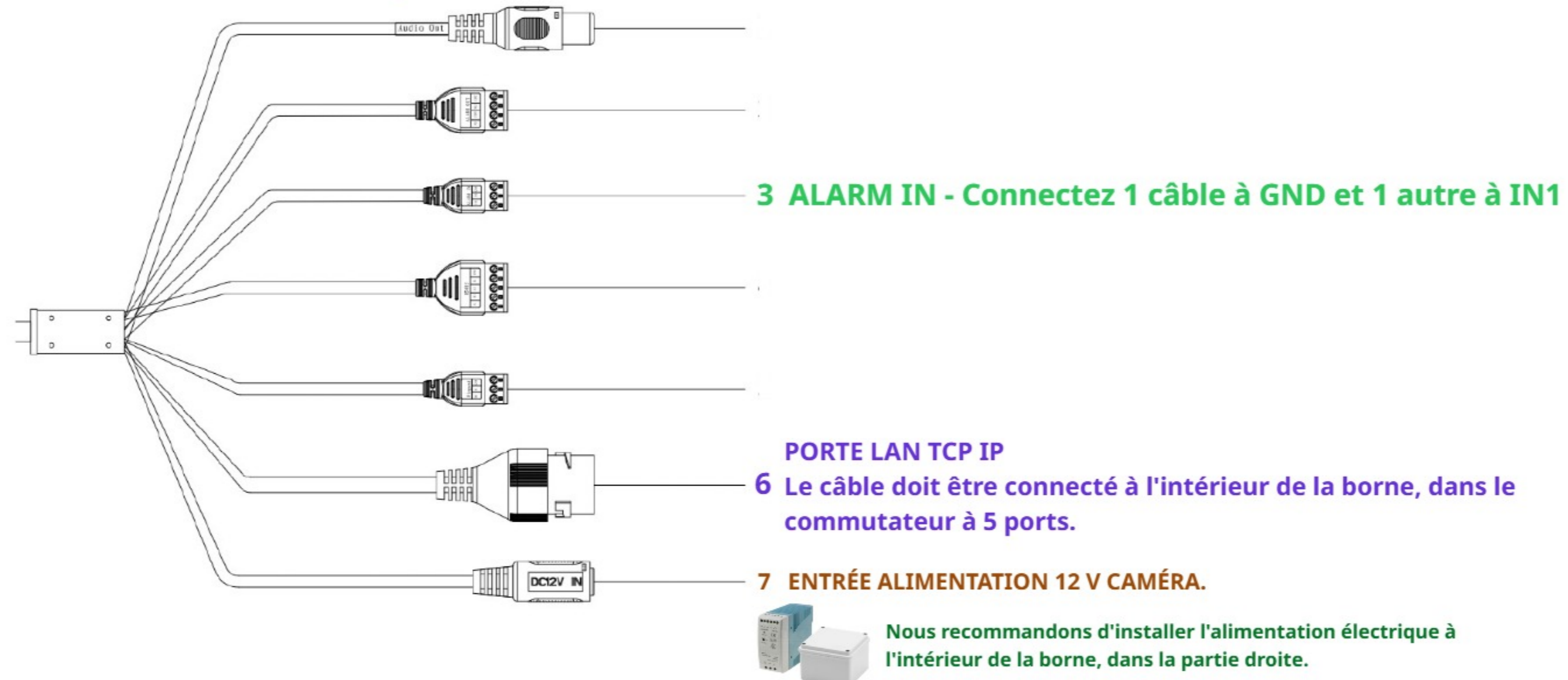


Câblage des îlots d'entrée et de sortie

Schéma valable pour toutes les pistes d'entrée et de sortie

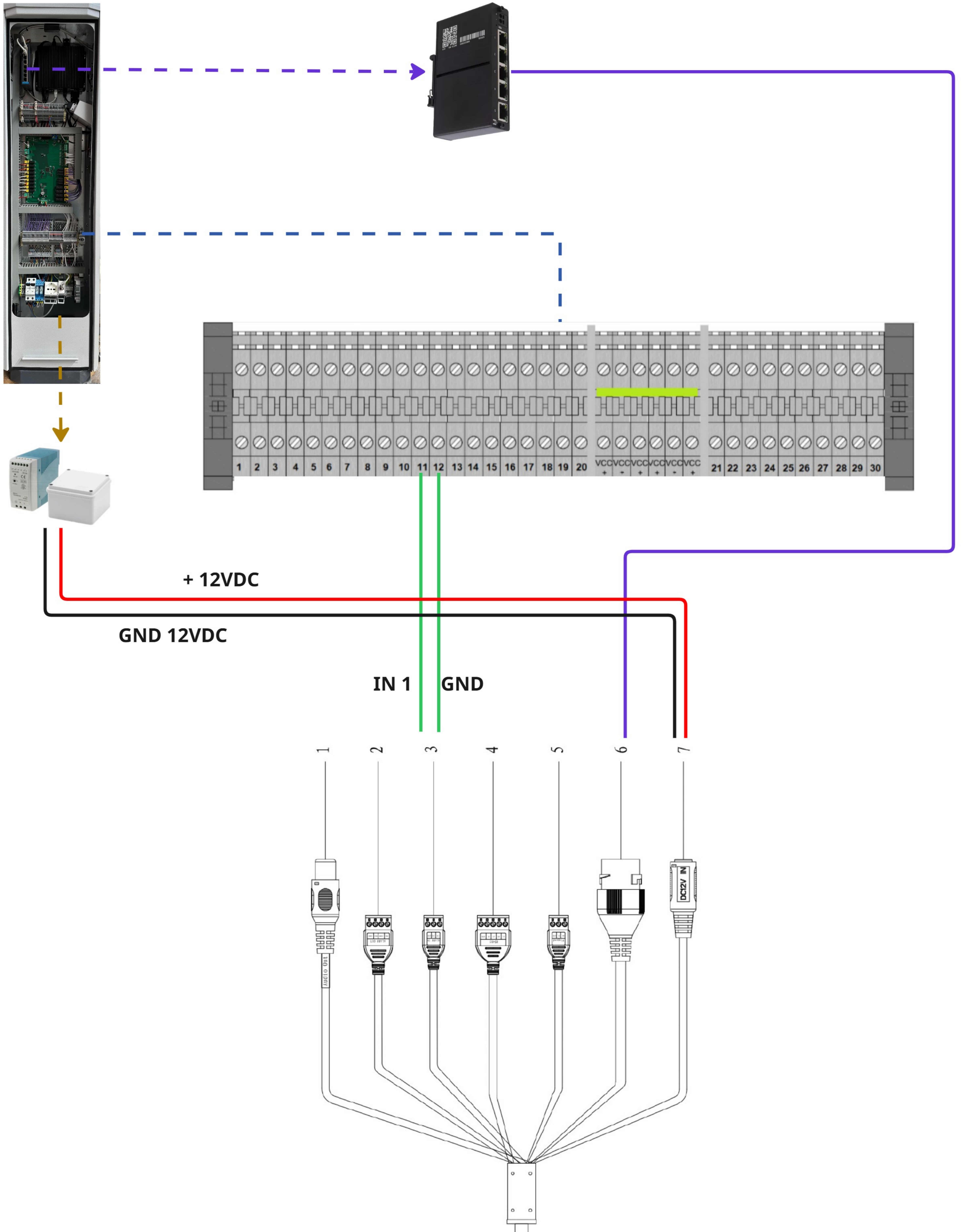


Détail des connecteurs de la caméra



Câblage des îlots d'entrée et de sortie

Détail du câblage interne à la borne d'entrée ou de sortie et caméra de lecture des plaques d'immatriculation correspondante



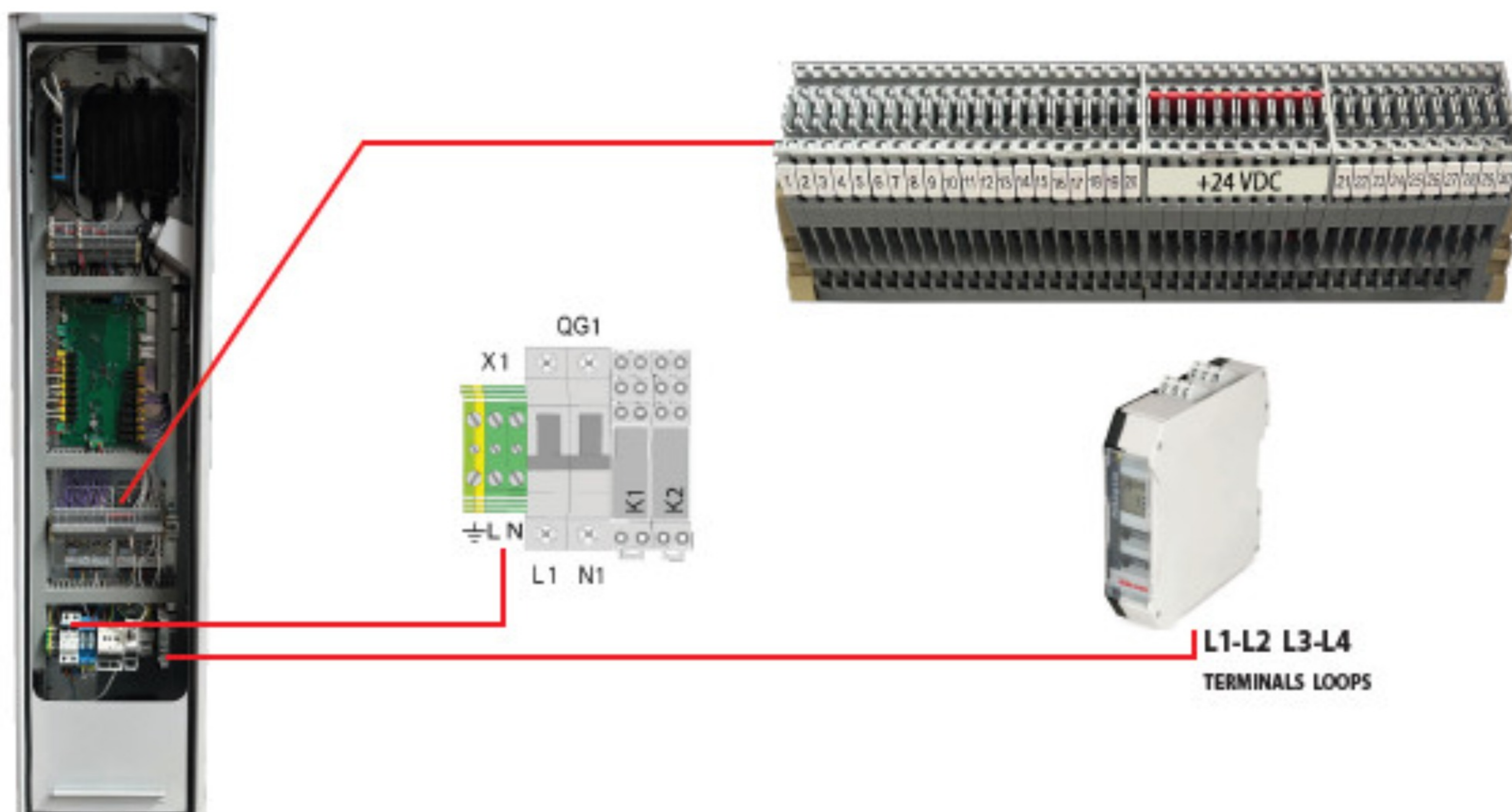
Câblage des îlots d'entrée et de sortie

Câblages barrière, électricité, boucle de présence et sécurité, etc.



WARNING!! To connect to the mains, use a multi-core cable with a cross-section of at least 3x2.5mm and of the type specified by current regulations. For example, the cable threaded through the pipes must be equal to FG7OR or RZ1-K with a cross-section of 3x2.5mm (minimum requirement). 230V conductors must be kept physically separated from very low voltage circuits.

6.1 – WIRING DIAGRAMS



FENIX IN - 5

No. CLAMP	DETAIL	NOTES
PE, L, N	230Vac power line. Take care when connecting the 3 cables to each of the 3 terminals	It is recommended to use cables with a cross-section of 2.5 mm ²
N1 HQ1	Neutral power supply for 230V traffic lights	As an alternative to the traffic light, use the COM and NO contacts to trigger the red light in the LED panels supplied by us
N.O. K1	230V phase cable to power the green traffic light	As an alternative to the traffic light, use the COM and NO contacts to trigger the red light in the LED panels supplied by us
N.C. K1	230V phase cable to power the red traffic light	In the case of LED panels, this contact is not used
15	OPEN COMAND	Barrier opening command
16	COM. OPEN COMAND	Common opening command
17	CLOSE COMAND	Barrier closing command
18	COM. CLOSE COMAND	Common closing command
19	STOP	Clean contact for managing STOP safety rod
20	COM. STOP	Clean contact for managing STOP safety rod
+24 VDC	AUCTION STATUS CLOSED	Input required to detect closed auction status
28	AUCTION STATUS CLOSED	Input required to detect closed auction status
L3	SPIRA PRESENCE	Connect cable 1 of the presence loop directly to the detector
L4	SPIRA PRESENCE	Connect cable 2 of the presence loop directly to the detector
L5	SPIRA SAFETY	Connect cable 1 of the safety loop directly to the detector
L6	SPIRA SAFETY	Connect cable 2 of the safety loop directly to the detector