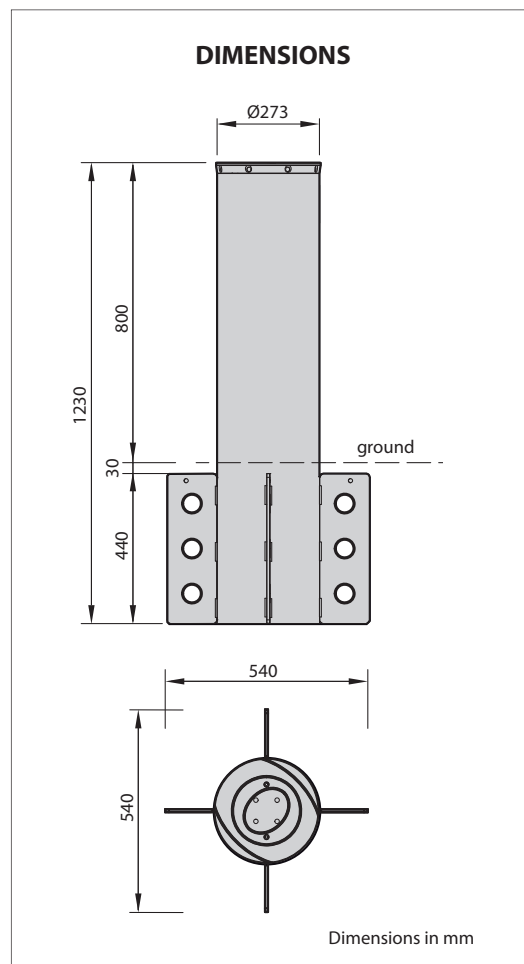


RANCH D 275/800C

Fixed high security bollard

For anti-terrorism applications.

High security structure; reference standards: ASTM2656:2007 M30 – PAS68:2010 7500/50/N2.



High-strength structure based on the design of the XPASS B 275/800C automatic version.

The bollard can be integrated with cast iron flange, 545 x 545 mm, cataphoresis black.

TECHNICAL SPECIFICATIONS

Stem diameter	273 mm
Stem height	800 mm
Stem thickness	10 mm
Break-in resistance	800 000 J
Impact resistance	250 000 J
Type of material	Fe 510 (S 335 JR) *
Treatment	Cataphoresis, standard RAL7015 painting, other colours available upon request
Weight	86 kg
Top cover	Aluminum, cataphoresis black
Visibility active	High intensity LEDs on the top cover
Light power supply	ALLU
Power	Light cable 24 Vac \pm 10%, 50-60 Hz (up to 80 bollards)
Power consumption	1 W for each bollard
Visibility passive	Reflective white film H=100 mm **
Buried structure	\varnothing 273 x h.430 mm
Foundation	1 400 x 1 400 x h.750 mm

(*) = Option, AISI316

(**) = Customizable (optional)

REFERENCE STANDARDS

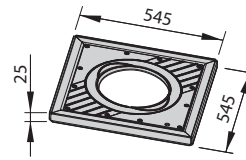
Anti-terrorism (reference standards): **PAS68:2010 7500/50/N2 - ASTM2656:2007 M30** (Replaces DoS/DoD K4)

2014/35/UE (EN 60335-1:2012; EN 60335-1/A11:2014; EN 60335-2-103:2015) Low voltage

2014/30/UE (EN 61000-6-3:2007; EN 61000-6-2:2005; EN 6100-6-3/A1:2011) Electromagnetic Compatibility

ACCESSORIES

- Flange



Dimensions flange	545 x 545 mm
Type of material	Cast iron
Treatment	Cataphoresis black
Weight	23 kg

- AISI 316 stainless steel cover



ITEM SPECIFICATION

Fixed bollard \varnothing 273 x h.800 x th.10 mm. Steel Fe 510 (S 335 JR). Finishing: cataphoresis, powder paint. Break-in resistance 800 000 J. Adhesive reflecting strip.

The bollard can be integrated with cast iron flange, 545 x 545 mm, cataphoresis black.

Bft Spa

Via Lago di Vico, 44 - 36015 Schio (VI) ITALY

T +39 0445 69 65 11

F +39 0445 69 65 22

info@bft.it

www.bft-automation.com



Be ahead