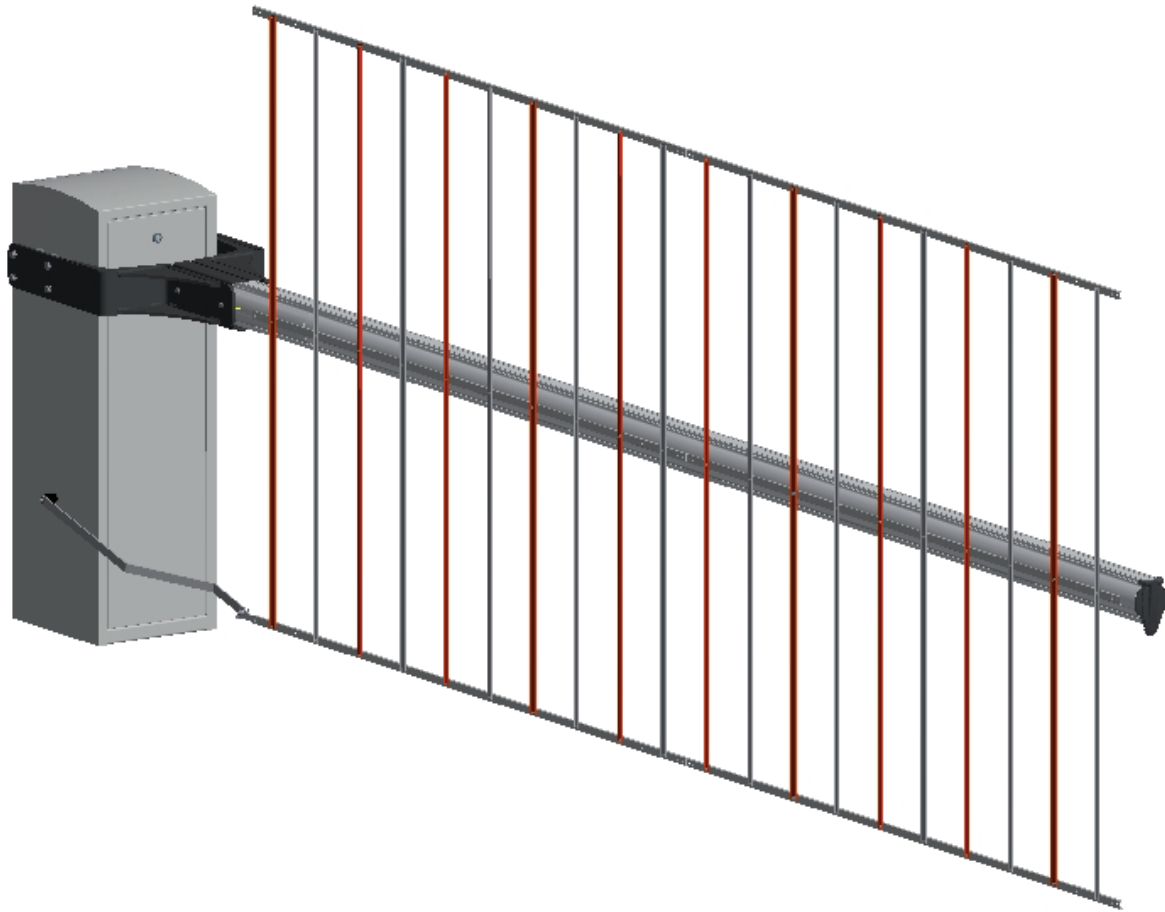


FULL-SKIRT PRO

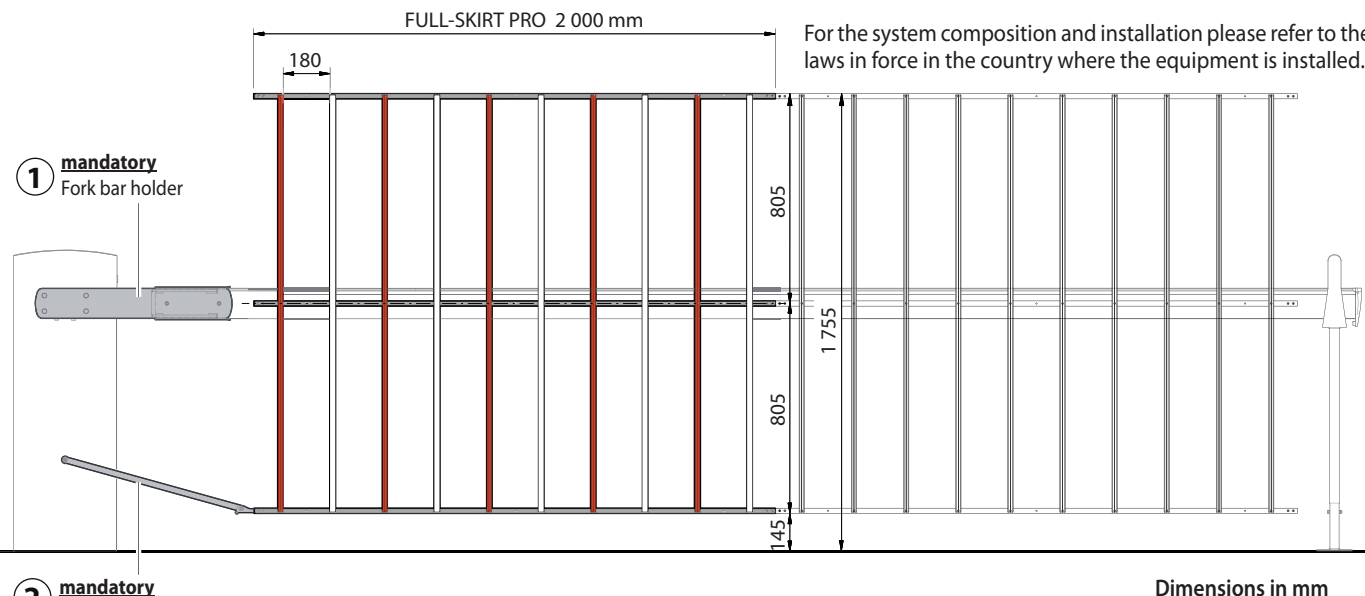
Double rack for MAXIMA ULTRA 68 barrier

Double skirt in aluminium for ATML bars, running symmetrically below and above the middle of the bar.



- Installable on ATML booms for MAXIMA ULTRA 68 barriers for bar length from 4 to 7 mt.
- 2.0 m module.
- Vertical profiles in aluminium painted alternatively in white/red, secured with stainless steel screws to C-shaped profiles in anodized aluminium.
- Covering height from ground 175 cm; distance from ground of the boom section of just 14.5 cm to enable maximum closure of the space and create intrusion deterrence.
- Compatible with OMEGA FRC ATML U fork bar lock only.
- Requires the installation of the BRACKET SKIRT PRO 68 DOUBLE connection bracket between barrier body and rack.

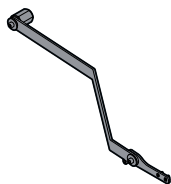
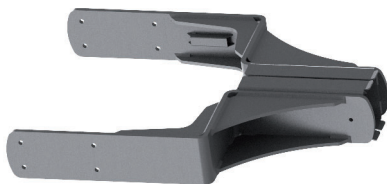
SAMPLE INSTALLATION



2 mandatory
Connection bracket

1 Fork bar holder
OMEGA FRC ATML U

2 Connection bracket
BRACKET SKIRT PRO 68 DOUBLE



MANDATORY CONFIGURATION

Barrier model	MAXIMA ULTRA 68
Boom model	ATML
Boom length	4.0...7.0 m
Accessories mandatory	OMEGA FRC ATML U BRACKET SKIRT PRO 68 DOUBLE

COMPATIBLE ACCESSORIES

LIGHT R/G 2W	High-visibility R/G LED boom lights
FORK-UNI	Fixed rest fork for booms (recommended)
EBB KIT ATML	Electric lock for ATML booms (compatible only with fixed rest fork for booms)

TECHNICAL SPECIFICATIONS

Type of material of vertical profiles	Aluminum
Treatment of vertical profiles	RAL 9010 alternated with RAL 3002 painting
Type of material of C-shaped connection profiles	Anodized aluminum
Dimensions (W x H)	2 000 x 1 610 mm
Weight	1.6 kg/m

SPECIFICATIONS

Double skirt in aluminium for ATML bars, running symmetrically below and above the middle of the bar. 2.0 m module, W 2 000 x H 1 610 mm. Applicable for bar length from 4 to 7 mt. Vertical profiles in RAL 9010 alternated with RAL 3002 painted aluminium, connected by C-shaped profiles in anodized aluminium.

Bft Spa

Via Largo di Vico, 44 - 36015 Schio (VI) ITALY

T +39 0445 69 65 11

F +39 0445 69 65 22

info@bft.it

www.bft-automation.com



Be ahead