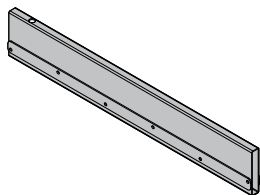


# Boom reinforcement range

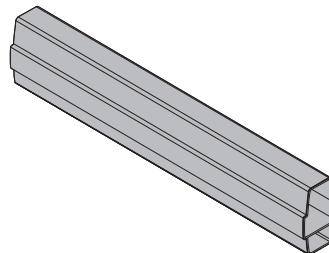
IS ATM / IS ATML / IS ATML PRO / HYPHEN PS / HYPHEN PS PRO

For MAXIMA and MAXIMA ULTRA barriers.

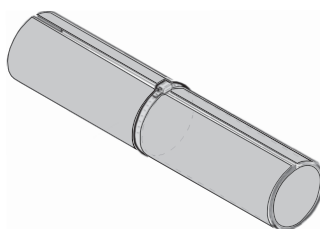
**IS ATM**



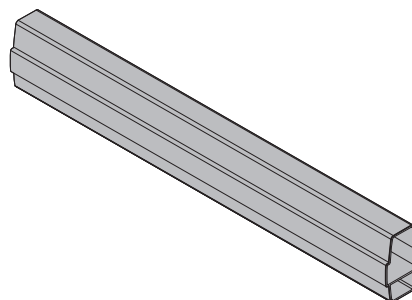
**HYPHEN PS**



**IS ATML**  
**IS ATML PRO**



**HYPHEN PS PRO**



The internal reinforcements give the bar greater rigidity, it is recommended to use in particularly windy areas.

## TECHNICAL SPECIFICATIONS

Reinforcement model	Length (mm)	Type of material	Weight (Kg)
IS ATM	500	Fe360 steel	1.32
IS ATML	600	Aluminum	1.12
IS ATML PRO	1750	Aluminum	3.26
HYPHEN PS	1000	Aluminum	1.21
HYPHEN PS PRO	1750	Aluminum	1.96

## COMPATIBILITY

Reinforcement model	Boom model	Barrier model
IS ATM	ATM	MAXIMA 30
		MAXIMA ULTRA 35
IS ATML	ATML	MAXIMA 60
		MAXIMA 80
		MAXIMA ULTRA 68
IS ATML PRO	ATML	MAXIMA 60
		MAXIMA 80
		MAXIMA ULTRA 68

Reinforcement model	Boom model	Barrier model
HYPHEN PS	BOOM PS	MAXIMA ULTRA 36
HYPHEN PS PRO	BOOM PS	MAXIMA ULTRA 36

## THEORETICAL WIND RESISTANCE

Reinforcement model	Boom model	Boom Length (m)	Wind speed (km/h) (*)				
			NAKED BOOM	+ LIGHT	+ LIGHT LED AND RUBBER	+ LIGHT + SINGLE RACK	+ LIGHT + RUBBER + DOUBLE RACK (2)
IS ATM (1)	ATM	5.0	95	95	80	70	/
IS ATML	ATML	6.0	120	120	110	95	80
		7.0	105	105	95	85	70
		8.0	90	90	85	75	/
IS ATML PRO	ATML	6.0	150	150	135	120	110
		7.0	125	125	115	100	90
		8.0	105	105	95	85	80
HYPHEN PS	BOOM PS	3.0	230	210	190	160	135
		4.0	175	160	140	110	100
		5.0	120	110	100	85	75
		6.0	100	90	80	70	60
HYPHEN PS PRO	BOOM PS	4.0	175	160	140	120	100
		5.0	140	125	115	95	80
		6.0	115	105	95	80	65

(\*) Values calculated with safety coefficient **1.2**

(1) The internal reinforcement is recommended

(2) The double arm is mandatory

**xx** With double arm

## SPECIFICATIONS

IS ATM	Boom reinforcement, for booms up to 5.0 mt. Fe360 steel. Length 500 mm.
IS ATML	Boom reinforcement, for booms from 6.0 to 8.0 mt. Aluminum. Length 600 mm.
IS ATML PRO	Boom reinforcement, for booms from 6.0 to 8.0 mt. Aluminum. Length 1750 mm.
HYPHEN PS	Boom reinforcement, for booms from 3.0 to 6.0 mt. Aluminum. Length 1000 mm.
HYPHEN PS PRO	Boom reinforcement, for booms from 4.0 to 6.0 mt. Aluminum. Length 1750 mm.

### Bft Spa

Via Largo di Vico, 44 - 36015 Schio (VI) ITALY

T +39 0445 69 65 11

F +39 0445 69 65 22

info@bft.it

[www.bft-automation.com](http://www.bft-automation.com)



Be ahead