

N° SHEET	OBJECT	INDEX REVIEW						
		1	2	3	4	5	6	7
0	-							
1	COVER							
2	SERVER AND POS CLIENT ARCHITECTURE BUS SYSTEM WITH ANPR CAMERA							
3	POS SERVER ARCHITECTURE BUS SYSTEM WITH ANPR CAMERA							
4	DOUBLE RUNWAY DESCRIPTION EQUIPMENT							
5	DOUBLE RUNWAY PLACEMENT SHARE							
6	SINGLE RUNWAY DESCRIPTION EQUIPMENT							
7	SINGLE RUNWAY PLACEMENT SHARE							
8	ANPR CAMERA POWER SUPPLY							
9	ANPR CAMERA WIRE							
10	ANPR CAMERA WIRE NEW VERSION							
11								
12								
13								
14								
15								
16								
17								
18								
19								
20								
21								
22								
23								
24								
25								
26								
27								
28								
29								
30								
31								
32								
33								
34								
35								
36								
37								

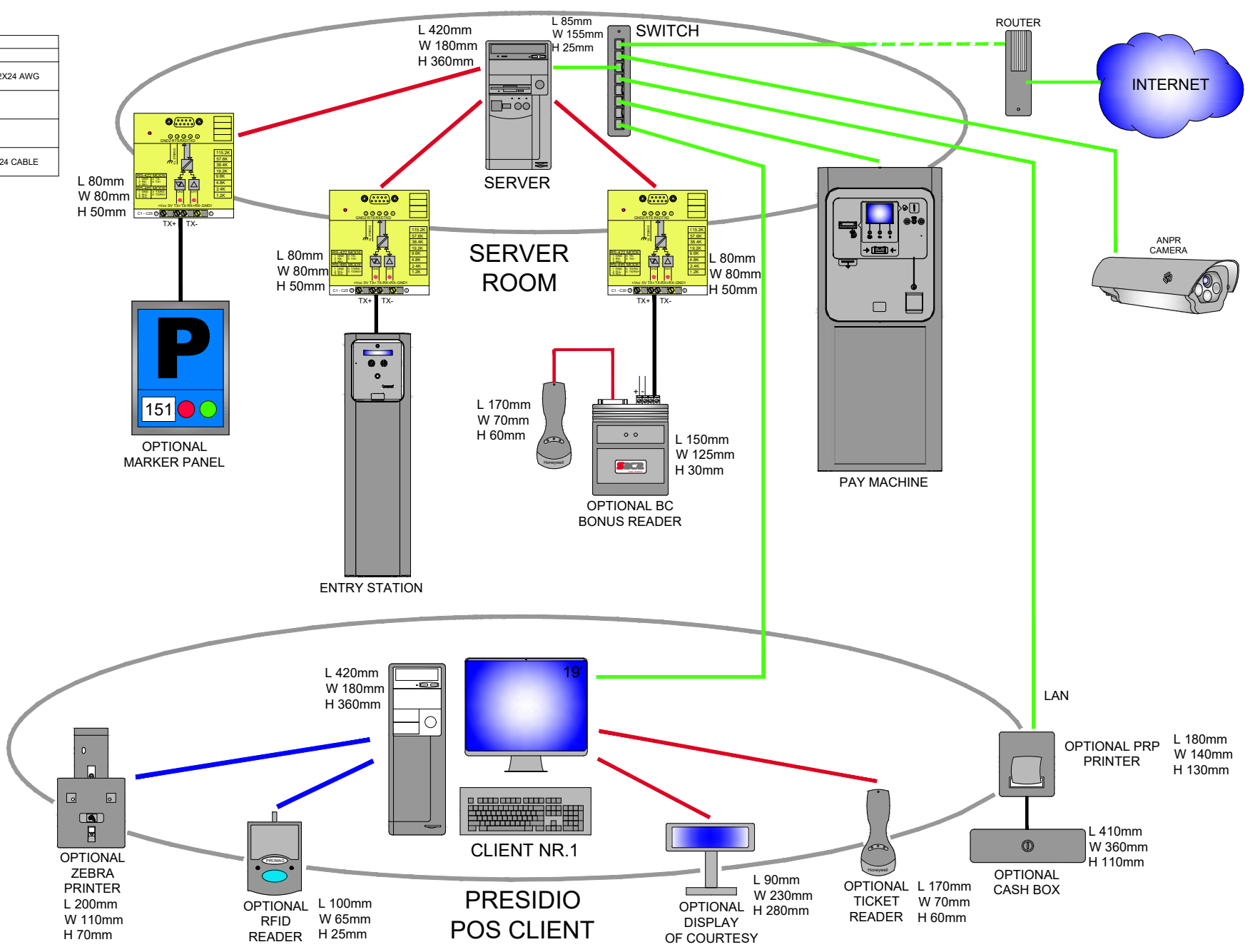
POSITIONING ANPR CAMERA DRAWING

Non è permesso consegnare a terzi o riprodurre questo documento né utilizzarne il contenuto o renderlo comunque noto a terzi senza nostra esplicita autorizzazione. Ogni infrazione comporta il risarcimento dei danni subiti. E' fatta riserva di tutti i diritti derivati da brevetti o modelli.

RIFERIMENTO DISEGNI		EDIZIONE
1		<input type="checkbox"/> PRELIMINARE
2		<input type="checkbox"/> PER APPROVAZIONE
3		<input type="checkbox"/> PER COSTRUZIONE
4		<input type="checkbox"/> REVISIONE FINALE
5		<input type="checkbox"/>
6		<input type="checkbox"/>

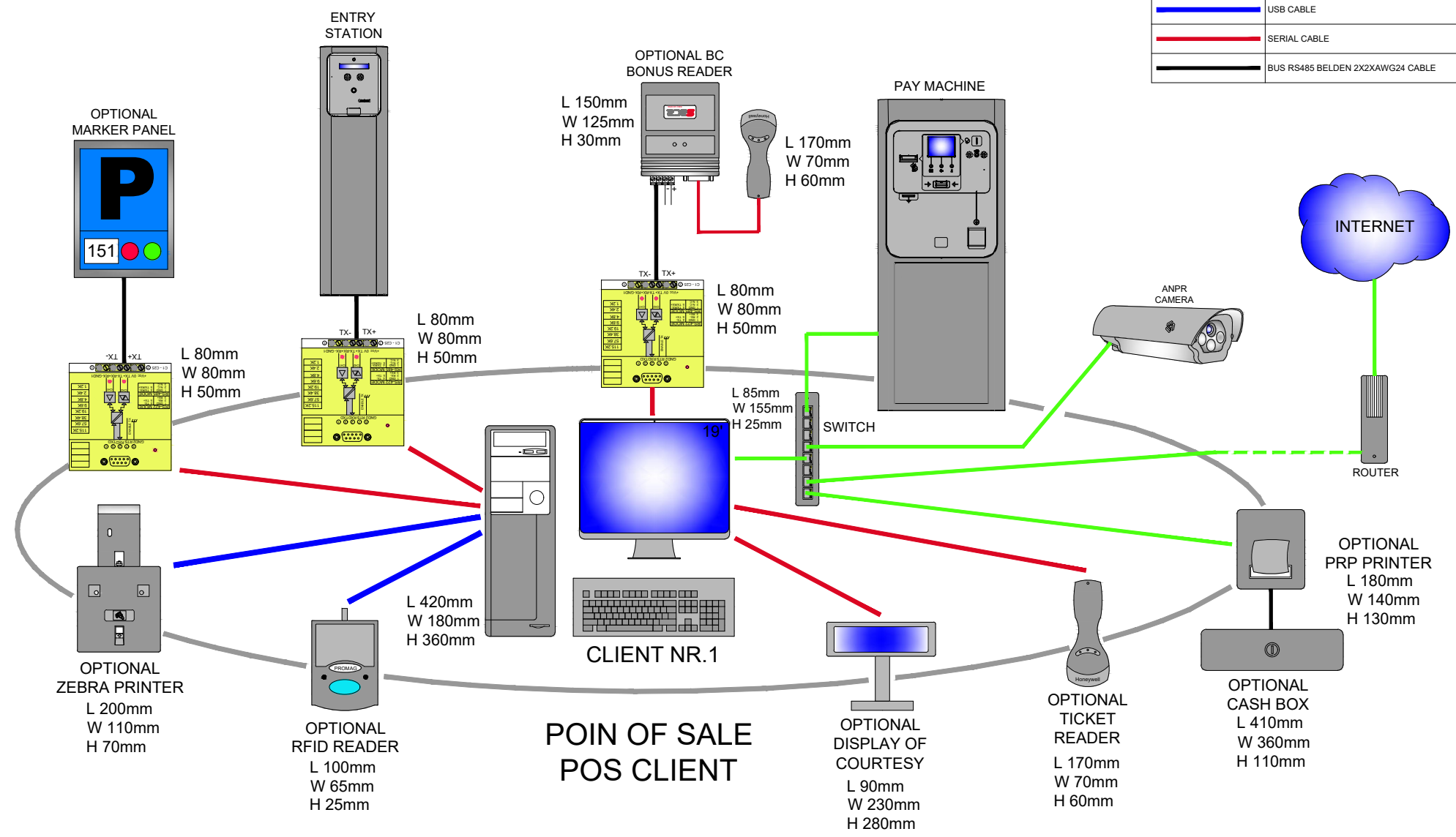
REV.:	MODIFICATION:	DATE:	SIGN	APPROV.:	MM	-	-	-	DATE: 11/01/2018 DESIG.: ADM CHECK: 11/01/2018	 	I-38051 Borgo Valsugana TN - via Armentera, 8 Tel. +39.0445.996511 - Fax. +39.0445.696522 P. IVA: IT03097710246 Web: www.bft.it / e-mail: info@bft.it	I-38051 Borgo Valsugana TN - via Armentera, 8 Tel. +39.0481.757471 - Fax. +39.0481.759633 P. IVA: IT0143810228 Web: www.sacs.info e-mail: info@info	TITLE: POSITIONING ANPR CAMERA DRAWING DESCRIPTION: COVER	DRAWING NUMBER:
												N. SHEET: 1	FOLLOW 2	
												TOTAL SHEET: 11		

ELECTRICAL CABLE TYPE	
SYMBOL	DESCRIPTION
	NETWORK LAN CABLE FTP 4X2X24 AWG
	USB CABLE
	SERIAL CABLE
	BUS RS485 BELDEN 2X2XAWG24 CABLE

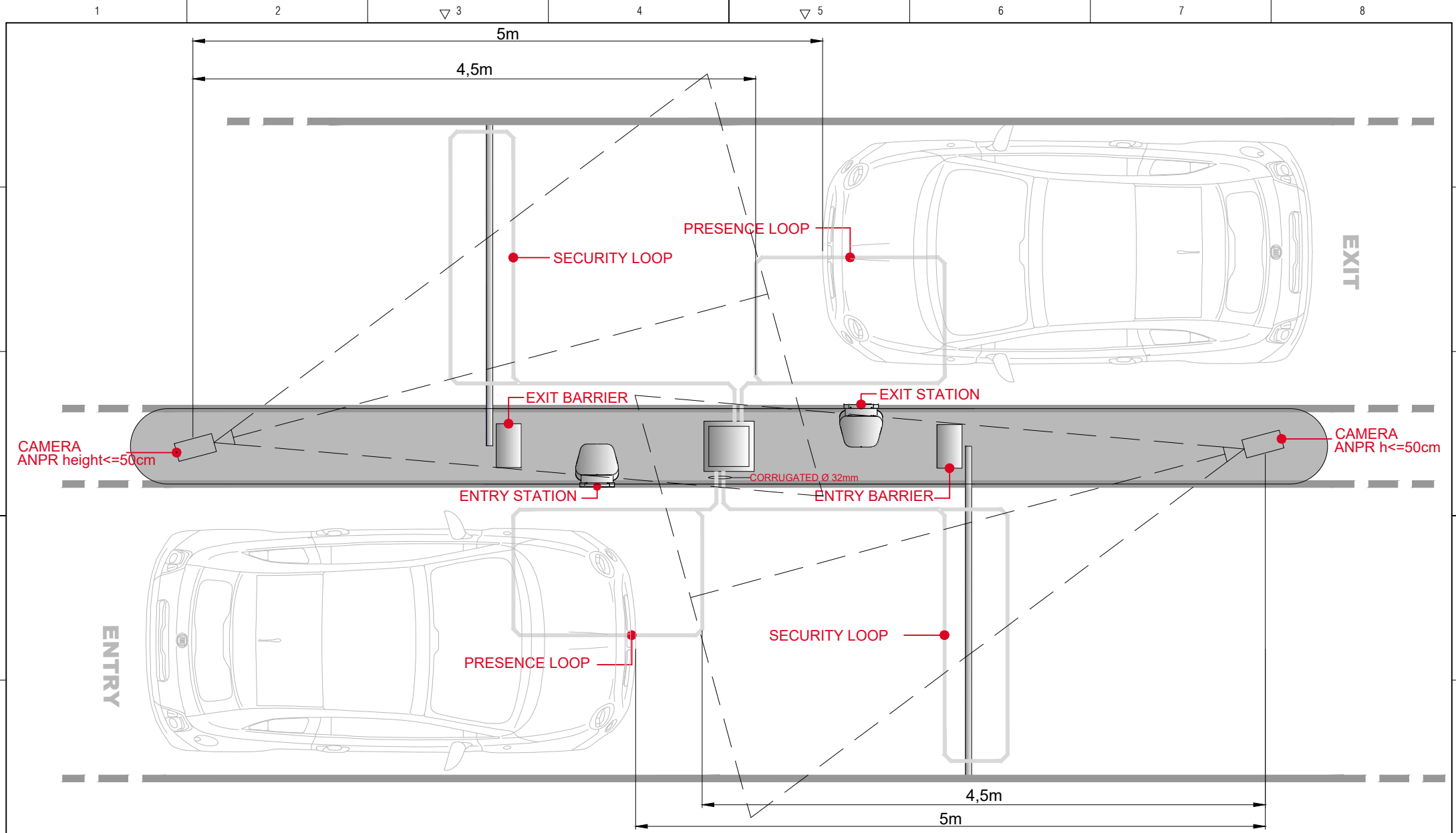


3			DATE:	11/01/2018	Via Lago di Vico 44, 36015 Schio (VI) ITALY Tel. +39.0445.696511 - Fax. +39.0445.696522 P.IVA IT00867710246 Web: www.bft.it / e-mail: info@bft.it	I-38051 Borgo Valsugana TN - via Armentera, 8 Tel. +39.0461.75741 - Fax. +39.0461.759633 P. Iva 01149810226 Web: www.sac2.it e-mail: info@info	TITLE:	POSITIONING ANPR CAMERA DRAWING		DRAWING NUMBER:		
2		DESIG.:	ADM	DESCRIPTION			SERVER AND POS CLIENT ARCHITECTURE BUS SYSTEM WITH ANPR CAMERA		N. SHEET: 2	FOLLOW 3		
1		CHECK:	11/01/2018	APPROV.:			MM			TOTAL SHEET:	11	

ELECTRICAL CABLE TYPE	
SYMBOL	DESCRIPTION
	NETWORK LAN CABLE FTP 4X2X24 AWG
	USB CABLE
	SERIAL CABLE
	BUS RS485 BELDEN 2X2XAWG24 CABLE



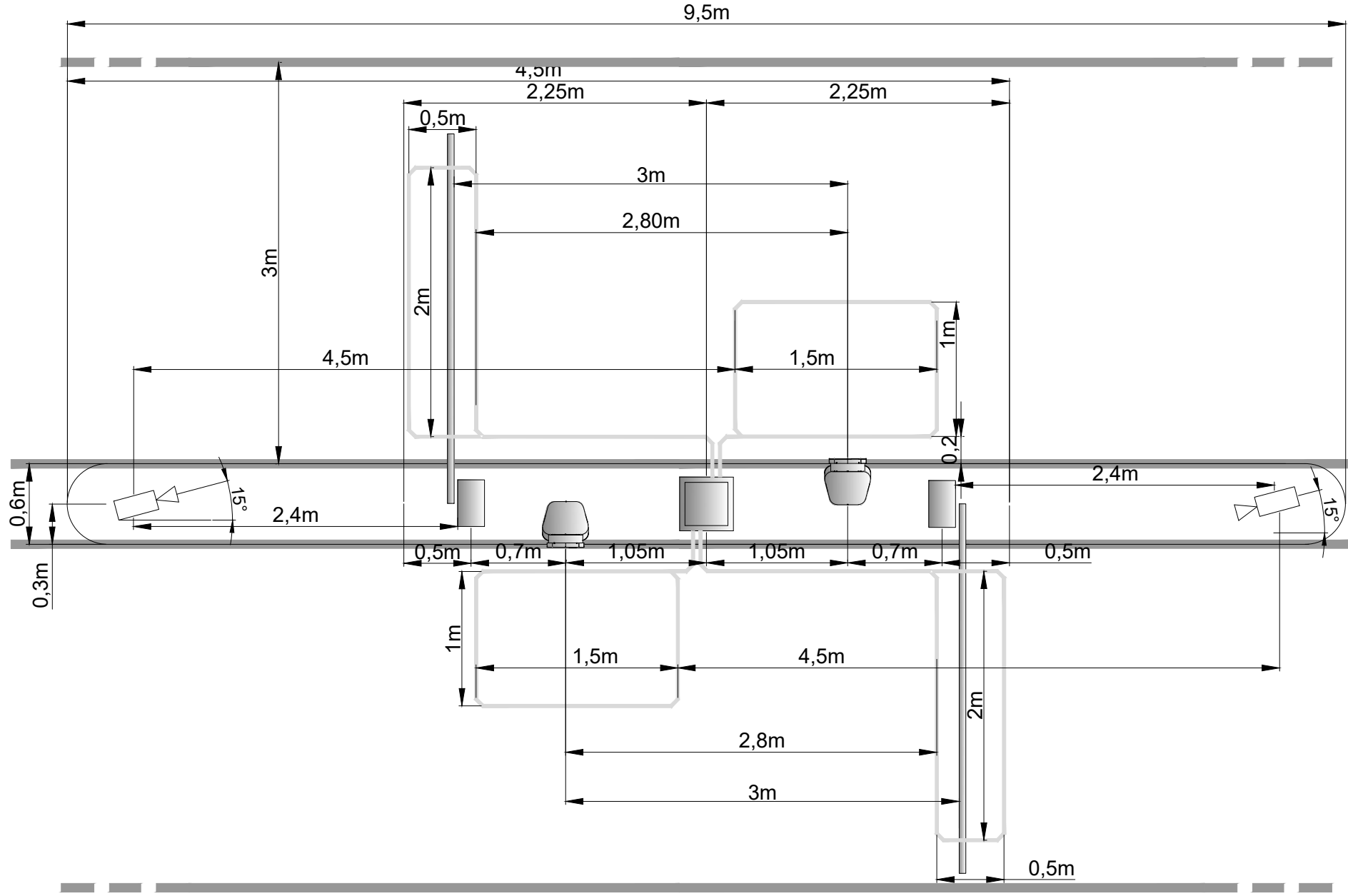
3			DATE:	11/01/2018	Via Lago di Vico 44, 36015 Schio (VI) ITALY Tel. +39.0445.696511 - Fax. +39.0445.696522 P.IVA IT00867710246 Web: www.bft.it / e-mail: info@bft.it	I-38051 Borgo Valsugana TN - via Armentera, 8 Tel. +39.0461.75741 - Fax. +39.0461.759633 P. Iva 01149810226 Web: www.sac2.info e-mail: info@info	TITLE:	DRAWING NUMBER:
2		DESIG.:	ADM	POSITIONING ANPR CAMERA DRAWING				
1		CHECK:	11/01/2018	DESCRIPTION				
REV.:	MODIFICATION:	DATE:	SIGN	APPROV.:	MM		POS SERVER ARCHITECTURE BUS SYSTEM WITH ANPR CAMERA	N. SHEET: 3 FOLLOW 4
								TOTAL SHEET: 10



INSTALLATION NOTES :

For proper installation position the camera with a 'measure no more than 50cm from the ground. The 'height indicated is recommended to increase the sensitivity of the camera to the first moving object

3			DATE:	11/01/2018	 	I-38051 Borgo Valsugana TN - via Armentera, 8 Tel. +39.0461.696511 - Fax. +39.0461.75741 - Fax. +39.0461.759633 P.IVA IT00867710246 Web: www.bft.it / e-mail: info@bft.it Web: www.sac2.info e-mail: info@info	TITLE:	DRAWING NUMBER:	
2		DESIG.:	ADM	POSITIONING ANPR CAMERA DRAWING					
1		CHECK:	11/01/2018	DOUBLE RUNWAY DESCRIPTION EQUIPMENT					
REV.:	MODIFICATION:	DATE:	SIGN	APPROV.:	MM			N. SHEET: 4	FOLLOW 5
								TOTAL SHEET:	11



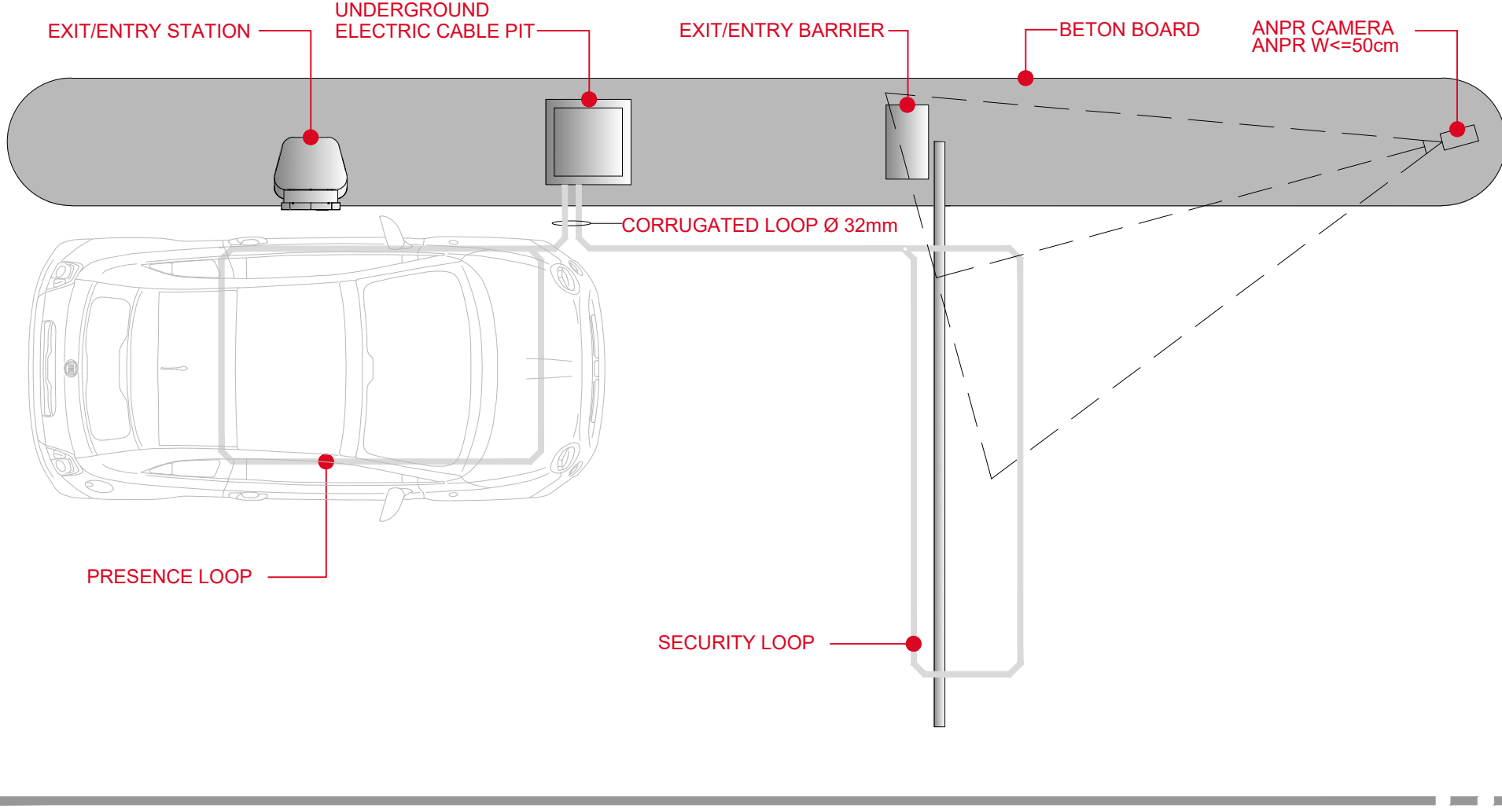
3			DATE:	11/01/2018
2			DESIG.:	ADM
1			CHECK:	11/01/2018
REV.:	MODIFICATION:	DATE:	SIGN	APPROV.:
			MM	


 Via Lago di Vico 44, 36015 Schio (VI) ITALY
 Tel. +39.0445.696511 - Fax. +39.0445.696522
 P.IVA IT00867710246 Web: www.bft.it / e-mail: info@bft.it


 I-38051 Borgo Valsugana TN - via Armentera, 8
 Tel. +39.0461.75741 - Fax. +39.0461.759633
 P. IVA 01149810226 Web: www.saca.info e-mail: info@info

TITLE:	POSITIONING ANPR CAMERA DRAWING	DRAWING NUMBER:	
DESCRIPTION	DOUBLE RUNWAY PLACEMENT SHARE	N. SHEET: 5	FOLLOW 6
		TOTAL SHEET:	11

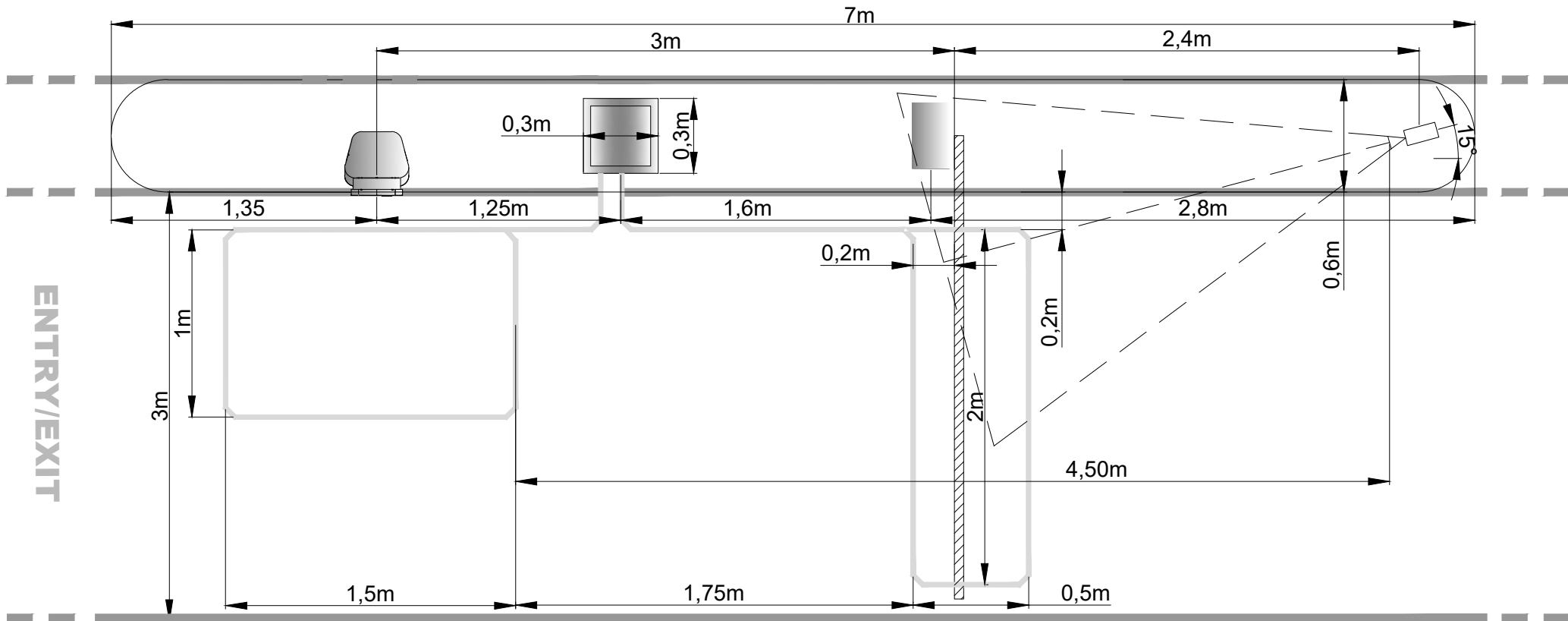
ENTRY/EXIT



INSTALLATION NOTES :

For proper installation position the camera with a 'measure no more than 50cm from the ground. The 'height indicated is recommended to increase the sensitivity of the camera to the first moving object

3			DATE:	11/01/2018	 	I-38051 Borgo Valsugana TN - via Armentera, 8 Tel. +39.0461.75741 - Fax. +39.0461.759633 P.IVA IT00987710246 Web: www.bft.it / e-mail: info@bft.it	TITLE:	DRAWING NUMBER:	
2		DESIG.:	ADM	POSITIONING ANPR CAMERA DRAWING					
1		CHECK:	11/01/2018	SINGLE RUNWAY DESCRIPTION EQUIPMENT			N. SHEET: 6	FOLLOW 7	
REV.:	MODIFICATION:	DATE:	SIGN	APPROV.:	MM	-	TOTAL SHEET: 11		

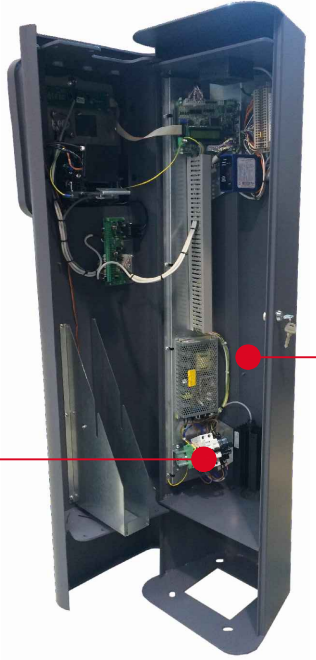


ENTRY/EXIT

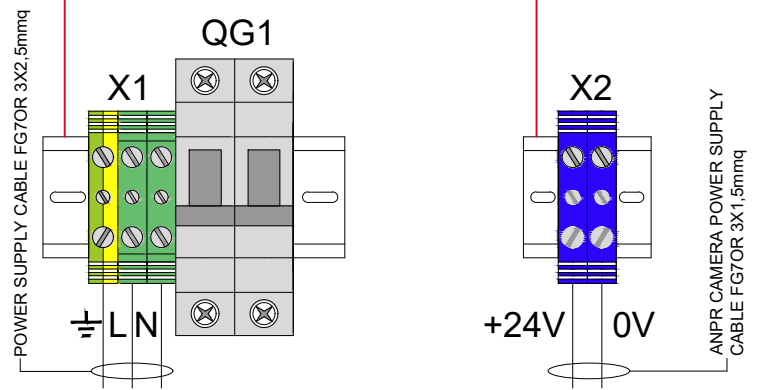
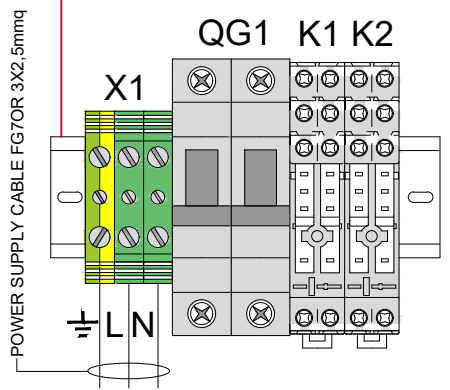
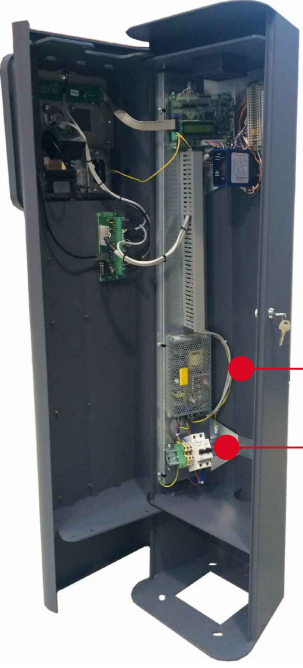
3			DATE:	11/01/2018	 	I-38051 Borgo Valsugana TN - via Armentera, 8 Tel. +39.0445.696511 - Fax. +39.0445.696522 P.IVA IT00867710246 Web: www.bft.it / e-mail: info@bft.it	TITLE: POSITIONING ANPR CAMERA DRAWING	DRAWING NUMBER:
2		DESIG.:	ADM					
1		CHECK:	11/01/2018					
REV.:	MODIFICATION:	DATE:	SIGN	APPROV.:	MM	-	-	-

DESCRIPTION	N. SHEET: 7	FOLLOW 8
SINGLE RUNWAY PLACEMENT SHARE	TOTAL SHEET:	11

ENTRY STATION VIEW



EXIT STATION VIEW



3			DATE:	11/01/2018
2			DESIG.:	ADM
1			CHECK:	11/01/2018
REV.:	MODIFICATION:	DATE:	SIGN	APPROV.:
			MM	

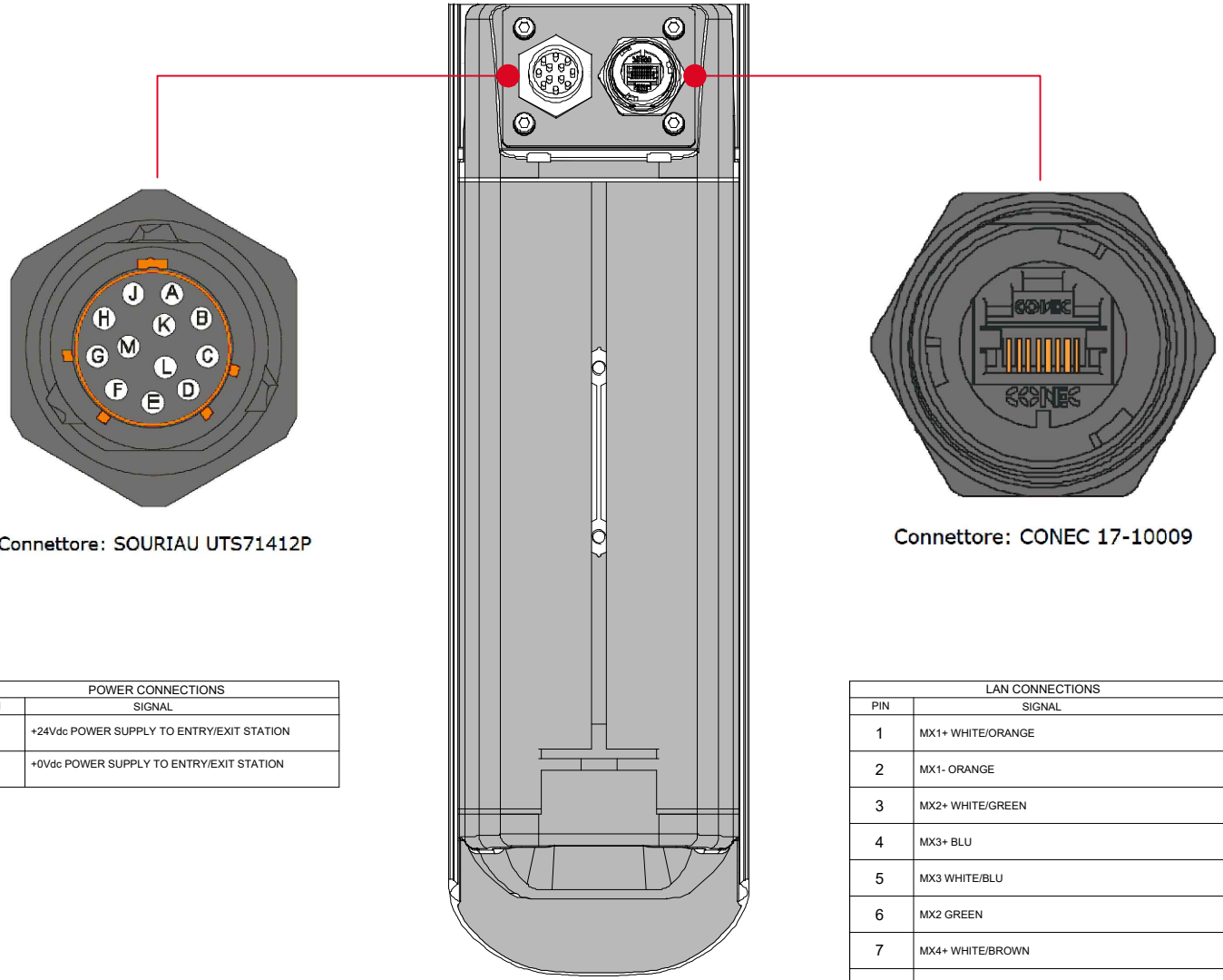
Bft Via Lago di Vico 44, 36015 Schio (VI) ITALY
Tel. +39.0445.696511 - Fax. +39.0445.696522
P.IVA IT00867710246 Web: www.bft.it / e-mail: info@bft.it

sac2 easy access I-38051 Borgo Valsugana TN - via Armentera, 8
Tel. +39.0461.75741 - Fax. +39.0461.759633
P.iva 01149810226 Web: www.sacs.info e-mail: info@info

TITLE:	POSITIONING ANPR CAMERA DRAWING
DESCRIPTION	ANPR CAMERA POWER SUPPLY

DRAWING NUMBER:	
N. SHEET: 8	FOLLOW 9
TOTAL SHEET:	11

ANPR CAMERA CONNECTION VIEW



Connettore: SOURIAU UTS71412P

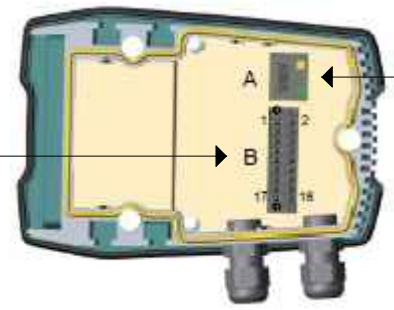
Connettore: CONEC 17-10009

POWER CONNECTIONS	
PIN	SIGNAL
A	+24Vdc POWER SUPPLY TO ENTRY/EXIT STATION
B	+0Vdc POWER SUPPLY TO ENTRY/EXIT STATION

LAN CONNECTIONS	
PIN	SIGNAL
1	MX1+ WHITE/ORANGE
2	MX1- ORANGE
3	MX2+ WHITE/GREEN
4	MX3+ BLU
5	MX3 WHITE/BLU
6	MX2 GREEN
7	MX4+ WHITE/BROWN
8	MX4 BROWN

3			DATE:	11/01/2018	 Via Lago di Vico 44, 36015 Schio (VI) ITALY Tel. +39.0445.696511 - Fax. +39.0445.696522 P.IVA IT00867710246 Web: www.bft.it / e-mail: info@bft.it	 I-38051 Borgo Valsugana TN - via Armentera, 8 Tel. +39.0461.75741 - Fax. +39.0461.759633 P. IVA IT0149810226 Web: www.sacs.info e-mail: info@info	TITLE:	DRAWING NUMBER:	
2		DESIG.:	ADM	POSITIONING ANPR CAMERA DRAWING					
0		CHECK:	11/01/2018	DESCRIPTION					
REV.:	MODIFICATION:	DATE:	SIGN	APPROV.:	MM		ANPR CAMERA WIRE	N. SHEET: 9 FOLLOW 10	
								TOTAL SHEET: 11	

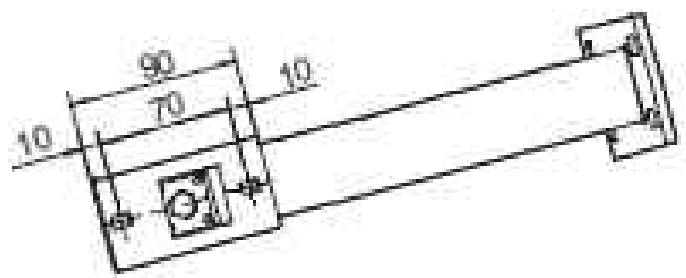
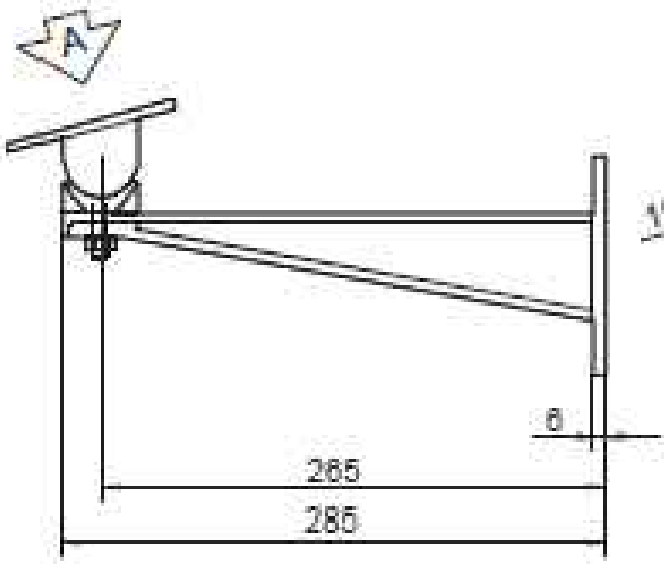
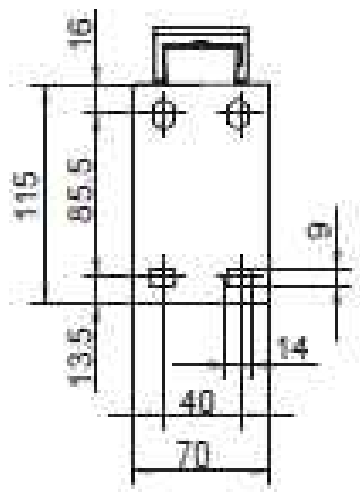
ANPR CAMERA CONNECTION VIEW



ANPR CAMERA LAYOUT CONNECTOR

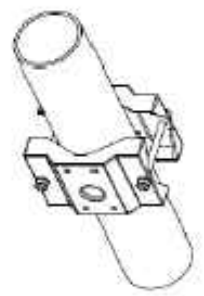
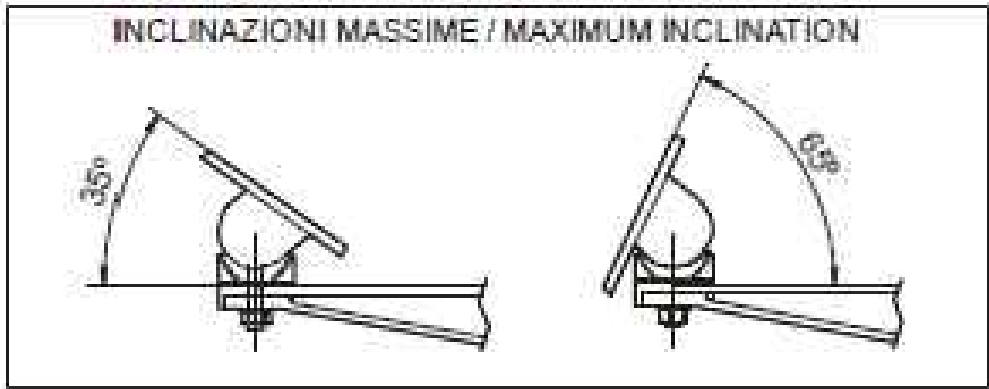
POWER I/O SOCKET	
PIN	SIGNAL
1	NO RELAY 1 CONTACT
2	COM RELAY1 CONTACT
16	+24Vdc POWER SUPPLY TO ENTRY/EXIT STATION
18	+0Vdc POWER SUPPLY TO ENTRY/EXIT STATION

LAN CONNECTIONS	
PIN	SIGNAL
1	MX1+ WHITE/ORANGE
2	MX1- ORANGE
3	MX2+ WHITE/GREEN
4	MX3+ BLU
5	MX3 WHITE/BLU
6	MX2 GREEN
7	MX4+ WHITE/BROWN
8	MX4 BROWN



VISTA DA A / VIEW FROM A

POLE MOUNTING BRACKET OPTION



3			DATE:	11/01/2018	
2			DESIG.:	ADM	
0			CHECK:	11/01/2018	
REV.:	MODIFICATION:	DATE:	SIGN	APPROV.:	MM


 Via Lago di Vico 44, 38015 Schio (VI) ITALY
 Tel. +39.0445.696511 - Fax. +39.0445.696522
 P.IVA IT00867710246
 Web: www.bft.it / e-mail: info@bft.it


 I-38051 Borgo Valsugana TN - via Armentera, 8
 Tel. +39.0461.75741 - Fax. +39.0461.759633
 P. IVA 01149810226
 Web: www.sacs.info e-mail: info@info

TITLE:	POSITIONING ANPR CAMERA DRAWING	DRAWING NUMBER:	
DESCRIPTION	ANPR CAMERA WALL MOUNT SUPPORT	N. SHEET: 11	FOLLOW -
		TOTAL SHEET:	11