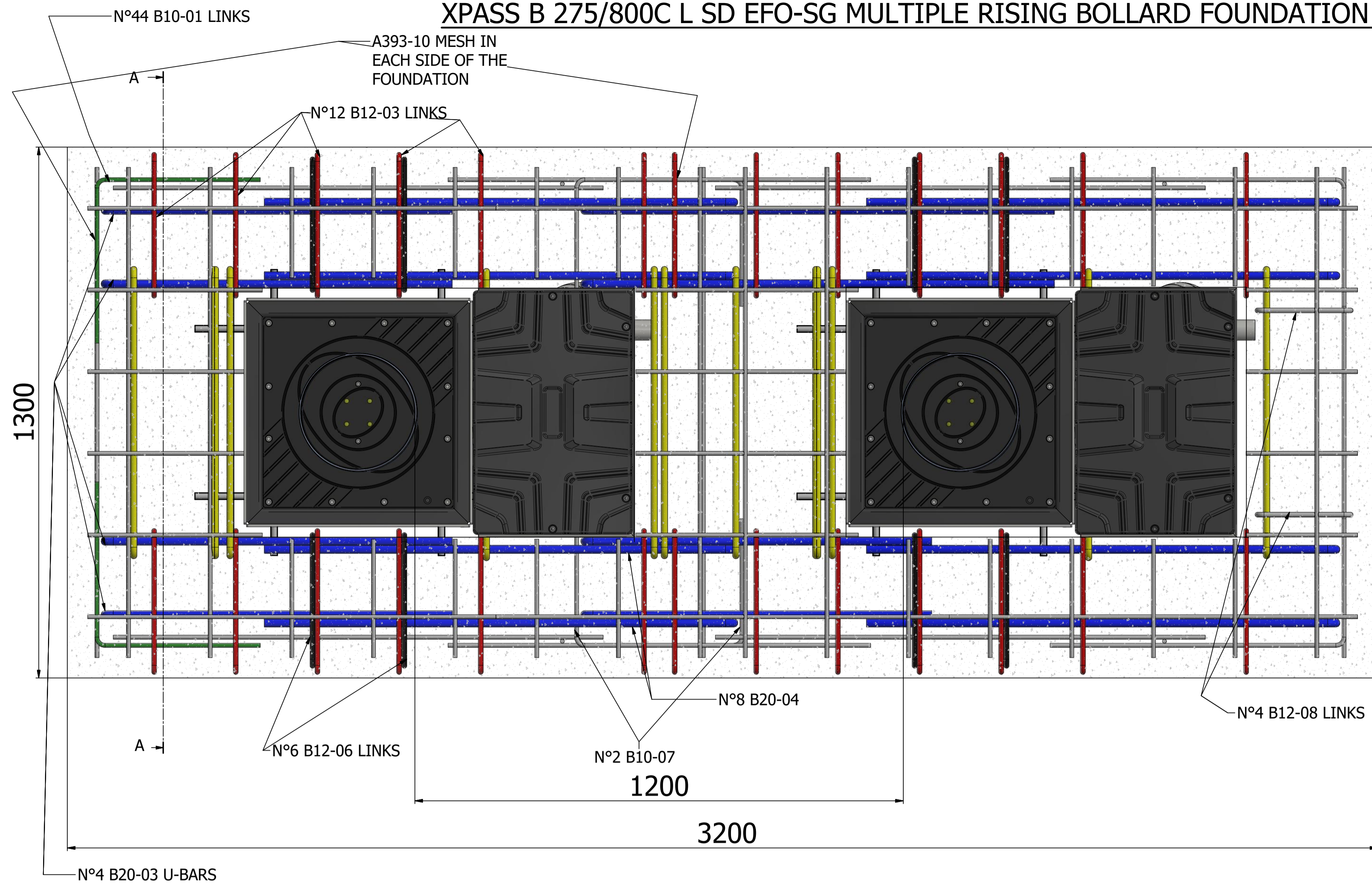
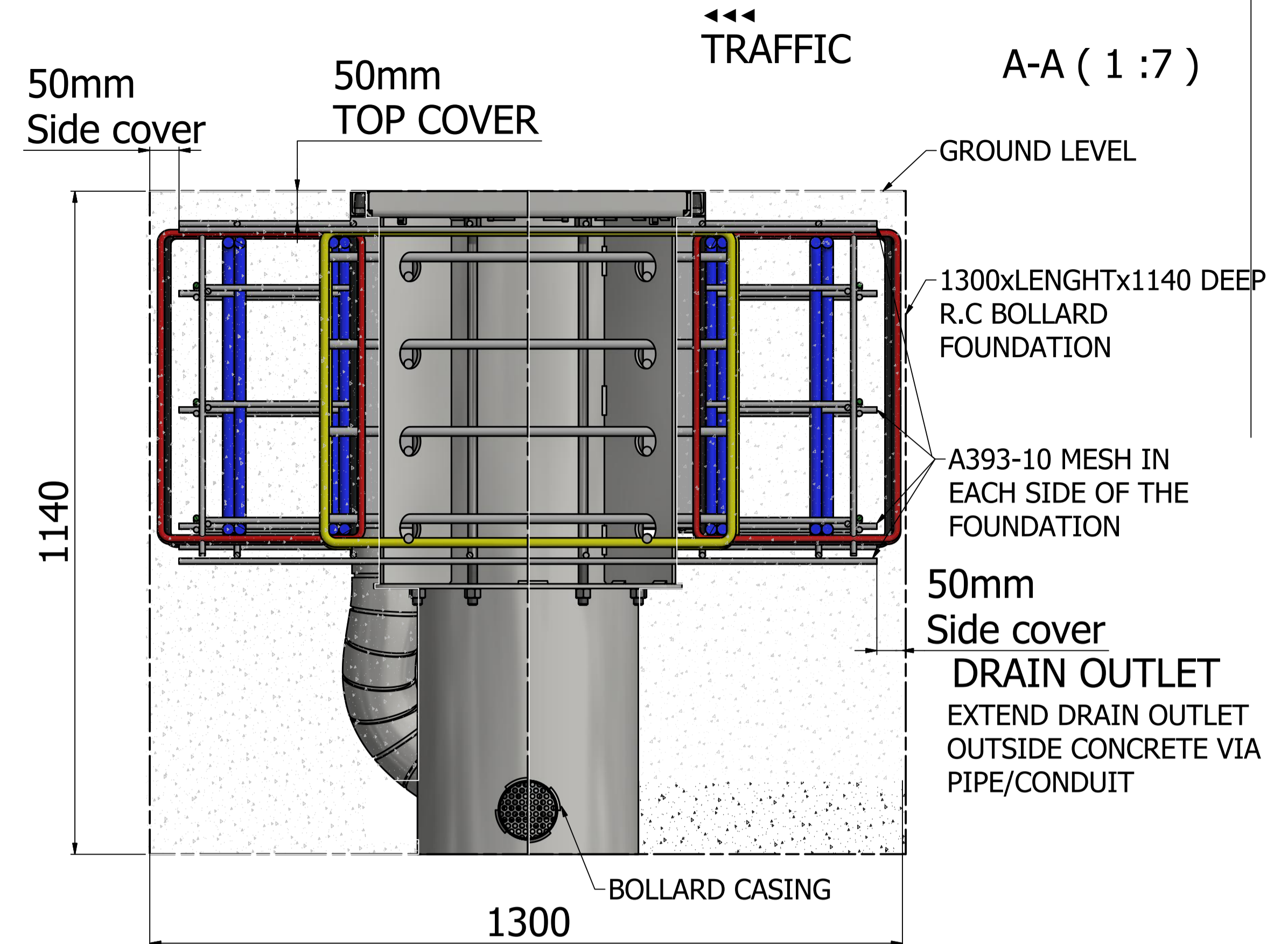


XPASS B 275/800C L SD EFO-SG MULTIPLE RISING BOLLARD FOUNDATION PLAN Scale 1:7



▲▲▲▲▲
TRAFFIC



FOUNDATION CAGE BOM

Member	Bar Mark	Type and Size	No. of Members	No. of bars in each	Total No.	Length of each bar	Shape code*	A*	B*	C*	Rev. letter
Foundation	01 Green	B10	2	44	88	800	11	400	400		
	02	B10	2	8	16	1200	00	1200			
	03 Red	B12	2	12	24	1740	63	525	345		
	04 Blue	B20	2	8	16	2200	21	850	495	850	
	05 Yellow	B16	2	6	12	2470	63	535	700		
	06	B12	2	6	12	1700	63	320	530		
	07	B16	2	16	32	700	00	700			
	08	A393	2								

NOTES:

- Do not scale drawing. Use figured dimensions and levels only. All sizes are in millimeters.
- The contractor is to verify dimensions and levels on the site prior to starting work. Any discrepancies to be reported to the engineer for clarification before proceeding with the construction.
- All specified materials shall be used in accordance with the manufacturers recommendations.
- Nomination of proprietary items does not indicate exclusive preference but the required properties and performance of the item. Similar alternatives having the equivalent properties may be used.
- All shape codes of reinforcement are according to standard BS8666:2005

CONCRETE:

- All concrete to be in accordance with BS8500, Mixes to be: BLINDING AND SOFT SPOTS - GEN 1 REINFORCED CONCRETE - RC32/40, DC-3

- All material and workmanship to be in accordance with recommendations of BS EN 1992 EUROCODE 2.

- Minimum lap: Bar reinforcement:

C20Ø = 1000mm

- Reinforcement is listed on bar bending schedule on drawing.

- Foundation reinforcement cage to be wired tied not welded to enable reinforcement to be adjusted on site if required.

- * Minimum cover to reinforcement cast against:

- Formwork or top surface - 50mm
- Blinding - 50mm
- Earth face - 75mm (increase size of foundation)
- Bollard structure - 25mm

- * Cover to be maintained by the use of propriety cover spacers. Broken paing slabs, bricks etc. are not permitted.
- * Top surface to be steel float finished.

Descrizione : FOUNDATION PLAN XPASS B 275/800C L SD	Codice disegno / Drawing code	Rev.
Description : EFO-SG	TASS-OAK800-K4-EFO-	A
Codice / Code : P970282 00002	GABBIA_Multiplo.idw	
	SCALE 1:7	
<small>A termino di legge BFT spa considera questo documento come segreto aziendale con divieto per chiunque di riprodurlo o di renderlo comunque noto, in tutto o in parte, a terzi o a altre concorrenti, senza specifica autorizzazione scritta della direzione BFT spa. According to law BFT spa considers this document to be a company secret and therefore prohibits any person to reproduce it in whole or in part to other parties or to competitors without specific written authorization of BFT management.</small>		
Ferraro F.	Ferraro F.	BFT
14/05/2019	14/05/2019	